

MAG6701

100V Network Terminal



Description

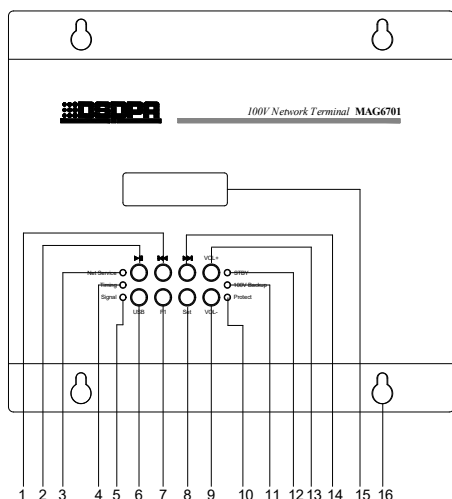
MAG6701 100V Network terminal is a network full digital analog-digital signal conversion processor based on TCP/IP communication protocol. Dual-network redundancy design makes it possible to any place where there is network. Remote digital data flow could export audio signal through this device, which is controlled by host. There is built-in MP3 player, USB interface and SD card interface. You could also play local MP3 program when there is no Network audio signal. It could execute timing function without host. There is one audio input interface to connect with other audio equipment (such as DVD). There is one auxiliary audio output interface to connect with other amplifiers to extend power. There is also a MIC interface to realize local paging.

Features

- Dual-network redundancy design, able to work cross network segment
- Able to be installed to any place where there is network.
- Built-in MP3 player, with USB interface and SD interface to play local program
- Independent execution of timing function without host
- Support maximum 48kHz sampling rate, 16 bit digital audio decoding
- Built-in 1×60W high fidelity digital amplifier, low power consumption
- Able to play background music, emergency paging and alarm signal from system host
- One auxiliary audio input interface, one auxiliary audio output interface, two MIC input interfaces, one EMC emergency output interface and one short circuit output
- Controllable volume and playing status of local output
- LED indicator to show signal status, working status and information change
- Support infrared remote control
- Could set priority of audio source through Network

Specifications

Model	MAG6701	
AUX IN	Input sensitivity	300 mV±30mV
	Frequency response	80Hz-16kHz(±3dB)
	Distortion	≦ 1%
	Noise	14mV
	Signal-to-noise ratio	≥77dB
AUX OUT	Input sensitivity	1000mV±100mV
	Frequency response	35Hz-20KHz(±3dB)
	Distortion	0.1%
	Noise	0.12 mV
	Signal-to-noise ratio	≥77 dB
Maximum output power of the built-in power amplifier	Single channel mode	60W/160Ω
Maximum harmonic distortion of the built-in power amplifier		≦ 1%
MIC input	Input sensitivity	3.5 mV±1mV
	Frequency response	80Hz-16kHz(±3dB)
	Distortion	≦ 0.5%
	Noise	14mV
	Signal-to-noise ratio	≥77 dB
USB/SD /NET Play MP3	Input sensitivity	100V±5V
	Frequency response	85Hz-16kHz(±3dB)
	Distortion	≦ 0.4%
	Noise	14 mV
	Signal-to-noise ratio	≥77dB
Capacity of external U disk supported		32GB
100V backup conversion time		220ms (±50ms)
Voltage range of power supply voltage		AC220V/50Hz
Overcurrent, overheat, over-voltage and under-voltage protection		Support
Package dimension (L×W×H mm)		330×270×125
Machine dimension (L×W×H mm)		222×195×56
Net weight		2.35kg
Gross weight		3.2kg



1 ◀◀ button

USB disk playing mode: to play previous song. IP setting mode: move left/move right to view/set parameters.

2 Play/Pause button

To control play/pause of local MP3 program playback. When setting address, this button is used to save the settings.

3 Network indicator (Net Service)

When this device is successfully connected to host through Network, this indicator will be turned on.

4 Timing indicator (Timing)

This device could execute timing function without host control. When executing, indicator will be turned on.

5 Amplifier output level indicator (Signal)

This indicator will be turned on when there is signal output from this terminal. This indicator will be brighter when increasing volume and it will be darker when turn down volume.

6 USB button

U disk play/pause button. When setting IP, this button could be used to exit setting status.

7 F1 button

Use when adjust volume. This button could be used to switch among AUX IN, MIC IN/MIC 2, and MP3.

8 Local setup button (Set)

Long press this button to enter IP address view status. Press again to enter IP setup/modify status.

9 VOL- button

Play mode: to turn down volume.

View IP: to select parameter to be viewed.

Set up IP: to increase or decrease parameters.

10 Amplifier protection indicator

This indicator will be turned on when there is short circuit.

11 100V input

When there is 100V input, this indicator will be turned on.

12 Standby indicator (STBY)

Standby function indicator which is also a mute function indicator. When there is a Network alarm and emergency, it will be turned on. Alarm and emergency signal could suppress mute function.

13 VOL+ button

Playing mode: volume up.

IP viewing mode: to switch among parameters.

IP setting mode: to increase or decrease parameters.

14 ▶▶ button

U disk playing mode: to play next song.

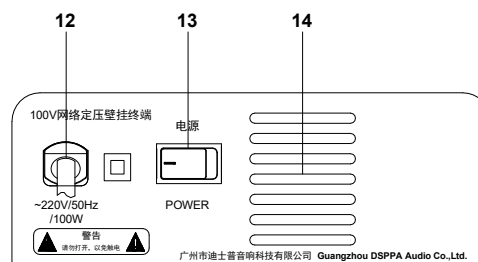
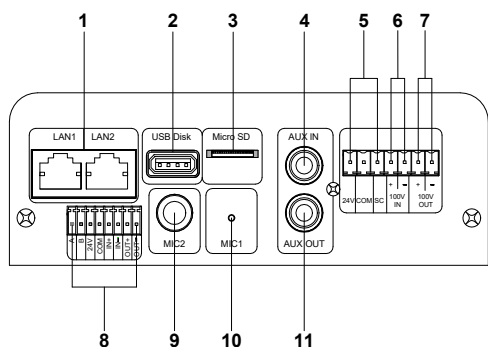
IP setting mode: move right to view/set parameters.

15 Digital display screen and receiving window of infrared remote

Digital display screen will display working status and Network information. There is a built-in receiving window of infrared remote to receive remote control.

16 Screw fixing hole

This terminal could be installed on the wall. There are four screw fixing holes which are used to fix the device on the wall.



1. Network interface (LAN1/LAN2)

Dual Network design, support hand-in-hand connection, connect with Network POE.

2. USB interface (USB Disk)

Insert U disk or mobile hard disk with MP3 program inside to provide MP3player with program.

3. SD card interface (Micro SD)

If the inserted SD card has timing points, host will play program when terminal is offline.

4. Auxiliary input interface (AUX IN)

To connect with audio source equipment (such as DVD) to extend program source.

5. EMC prior playing output

Output signal of this interface is controlled by host.

6. 100V external audio input

To connect with other standby amplifier.

7. Amplifier output (100V)

Built-in 1×60W digital amplifier with rated power 60W to connect with multiple speakers. Total power of connected speakers should be no more than 60W.

8. Extension interface

For extending or customizing other functions. It can be extended to MAG6465/MAG6566 SOS, Dual Intercom Extension Controller, MAG6402 Network PA System On-Demand Terminal, MAG6405 GPS Calibration Module, MAG6419 IP Network Terminal with Built-in Amplifier, MAG6420 IP Control Panel with Bluetooth & MIC, MAG6420II-C Network Control Panel with Wireless Microphone. This terminal provides DC voltage power supply for the connected equipment. The wiring method needs to be connected with the equipment one by one according to the requirements. For the connection method, please refer to the instruction manual of the connecting equipment.

9. MIC2 interface

To connect with MIC.

10. MIC1 sound pickup

Built-in pickup window. Speak to this window to broadcast.

11. Auxiliary output interface (AUX OUT)

To connect with other amplifiers to extend power.

12. AC220V power cable

To supply power.

13. Power switch (POWER)

Press “I” to turn on power supply. Press again to turn off.

14. Heat dissipation