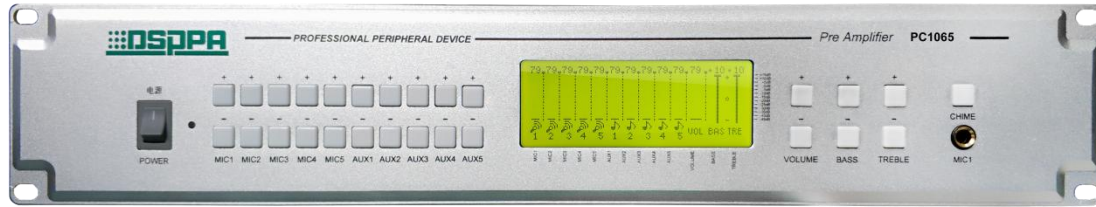


# PC1065

## Preamplifier



### Description

This product is a preamplifier with multiple input/output ports, including 1 unbalanced priority microphone port, 2 unbalanced microphone ports, 2 balanced microphone ports, 3 unbalanced audio source input ports, 2 balanced audio source input ports, 2 EMC emergency input ports and 4 output ports. It has a high brightness LCD screen to display the volume scale position and volume value of each channel, the signal dynamic amplitude, the treble and bass tone scale position, etc. Besides, it has address setting function. Through address setting, a system can connect up to 16 machines in parallel.

### Features

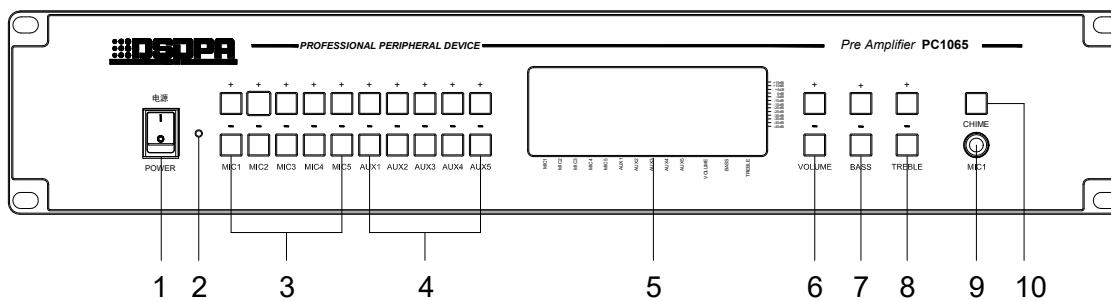
- With multiple input/output ports: 1 unbalanced priority microphone port; 2 unbalanced microphone ports; 2 balanced microphone ports; 3 unbalanced audio source input ports; 2 balanced audio source input ports; 2 EMC emergency input ports; 4 output ports.
- Support full touch button operation.
- With independent volume control for each channel and master volume control.
- With treble and bass tone control.
- With a high brightness LCD screen to display the volume scale position and volume value of each channel, the signal dynamic amplitude, the treble and bass tone scale position, etc.
- With priority function and automatic mute function (with override function).
- With built-in chime generator.
- With address setting function. Through address setting, a system can connect up to 16 machines in parallel.
- Can support remote control of the PC and the network public address system host.
- Can transmit the audio to the network public address host through the network as one of the host audio sources.

## Specifications

<b>Model</b>	<b>PC1065</b>
Nominal Input	MIC1, MIC2 & MIC3: 600Ω, 5mV, unbalanced MIC4 & MIC5: 600Ω, 5mV, balanced EMC1 & EMC2; AUX1, AUX2 & AUX3: 10kΩ, 300mV, unbalanced AUX4 & AUX5: 10kΩ, 300mV, balanced
Nominal Output	0dBV
Frequency Response	20Hz-20kHz(±3dB), line input
THD	AUX: 0.05%, MIC: 0.3% (0dB)
SNR	MIC input: >70dB AUX input: >70dB
Tone	Bass: ±10dB(100Hz) Treble: ±10dB(10kHz)
Chime	Each time the button is pressed, the melody is “1-3-5-ì-”, with adjustable volume.
Protection	AC fuse×1 (220V: F0.6AL, 110V: F1AL)
Power Supply	AC220V/50Hz
Package Dimensions (mm)	(L×W×H) 555×455×185
Machine Dimensions (mm)	(L×W×H) 484×320×88
Gross Weight	7.9kg
Net Weight	6.1kg

## Front / Rear Panel

### Front Panel



#### 1 Power Switch

Press the button on the “1” position to turn on the power, and on the “0” position to turn off the power.

#### 2 Power Indicator

The indicator is on when the power is turned on and off when the power is turned off.

#### 3 MIC1-MIC5 Volume Adjustment Buttons

The buttons MIC1-MIC5 are used to adjust the volume of the five microphones. The “+” button is used to increase the volume, and the “-” button is used to decrease the volume. The increase and decrease amplitudes are displayed on the display screen in real time:

Value display: The maximum volume is “79”, and the minimum volume is “00”.

Scale display: When the volume increases, the scale cursor moves up; when the volume decreases, the scale cursor

moves down.

#### 4 AUX1-AUX5 Volume Adjustment Buttons

The buttons AUX1-AUX5 are used to adjust the volume of the five auxiliary inputs. The “+” button is used to increase the volume, and the “-” button is used to decrease the volume. The increase and decrease amplitudes are displayed on the display screen in real time:

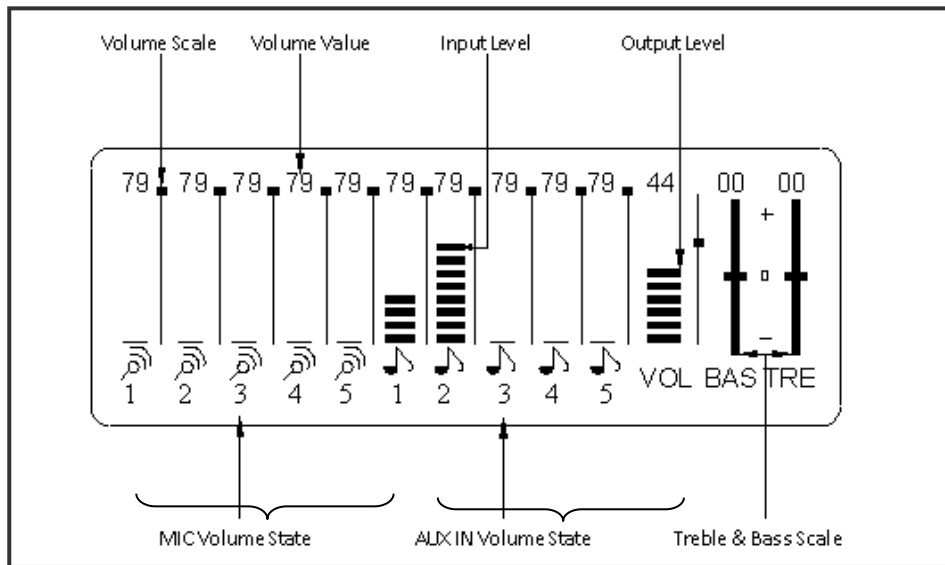
Value display: The maximum volume is “79”, and the minimum volume is “00”.

Scale display: When the volume increases, the scale cursor moves up; when the volume decreases, the scale cursor moves down.

#### 5 Display Screen

Display the working status of the device.

- ① The volume scale and volume value of each channel can be read directly from the screen.
- ② The output signal dynamic range, and the treble and bass tone scale position can be displayed on the screen.
- ③ When adjusting each parameter, the change of each parameter can be displayed on the screen in real time.



#### 6 Master Volume Adjustment Button

The VOLUME button is used to adjust the master output volume. The “+” button is used to increase the volume, and the “-” button is used to decrease the volume. The increase and decrease amplitudes are displayed on the display screen in real time:

Value display: The maximum volume is “79”, and the minimum volume is “00”.

Scale display: When the volume increases, the scale cursor moves up; when the volume decreases, the scale cursor moves down.

#### 7 Bass Adjustment Button

The BASS button is used to increase or decrease the bass tone. The “+” button is used to increase the bass, and the “-” button is used to decrease the bass. The increase and decrease amplitudes are displayed on the display screen in real time:

Value display: The maximum range of bass increase is “+10”, and the minimum range of bass decrease is “-10”.

Scale display: When the bass tone increases, the scale cursor moves up; when the bass tone decreases, the scale cursor moves down.

Note: When the bass tone does not need to be increased or decreased, please adjust the bass tone to the “0” scale position.

#### 8 Treble Adjustment Button

The TREBLE button is used to increase or decrease the treble tone. The “+” button is used to increase the treble, and the “-” button is used to decrease the treble. The increase and decrease amplitudes are displayed on the display screen in real time:

Value display: The maximum range of treble increase is "+10", and the minimum range of treble decrease is "-10".

Scale display: When the treble tone increases, the scale cursor moves up; when the treble tone decreases, the scale cursor moves down.

Note: When the treble tone does not need to be increased or decreased, please adjust the treble tone to the "0" scale position.

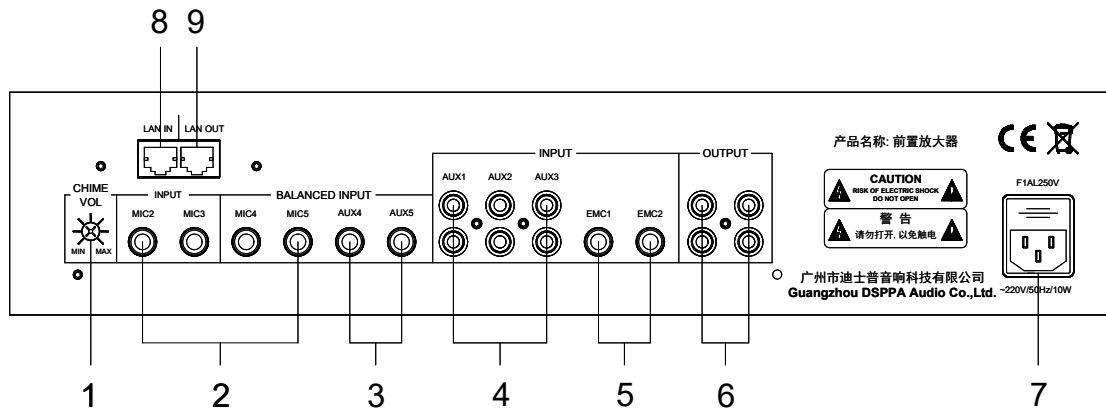
## 9 Chime Button

Press this button, and then it will send out a series of prompt chimes "1-3-5-i-" to attract the attention of the audience.

## 10 MIC1 IN

The MIC (microphone) input port has the highest priority, and the signal input from this port will automatically suppress the signals input from other input ports.

## Rear Panel

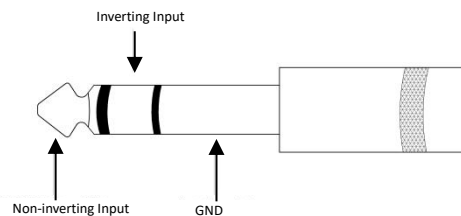


### 1 Chime Volume Adjustment Knob

Adjust the chime output volume. Turn it clockwise to increase the volume, and counterclockwise to decrease the volume.

### 2 MIC2, MIC3, MIC4 & MIC5 IN

MIC2-MIC5 input interfaces are all connected with a 6.35mm plug. The microphone interfaces have 3 unbalanced interfaces and 2 balanced interfaces. The unbalanced interface plug is shown on the right.



(6.35mm Plug Illustration)

### 3 AUX4 & AUX5 IN

The peripheral audio input interfaces are connected with a 6.35mm plug.

### 4 AUX1, AUX2 & AUX3 IN

These three input ports respectively input peripheral audio source signals, such as CD, deck, tuner, etc. All are connected with a RCA plug.

### 5 EMC1 & EMC2 IN

These two interfaces are connected to the alarm signal and the timing chime, with the priority second only to the MIC1 interface. It is recommended to connect the microphone for emergency broadcast to "MIC1", the sound source of the local call interface to "EMC1", and the timing chime to the "EMC2". Both are connected with a 6.35mm plug.

### 6 Audio Output Interface

Connected to the amplifier or tuner with a RCA plug.

### 7 AC Power Input Socket

Plug the AC power cord into this socket.

### 8 Remote Control Input Interface

Connected to the remote control output port of the previous device.

### 9 Remote Control Output Interface

Connected to the remote control input interface of the next device.