

MP60B Basic Mixer Amplifier with USB

Features



- Built in USB player
- 4 microphones input, 2 auxiliary inputs and 1 line output
- Mic 1 input has the highest priority level muting function
- Individual volume control for all inputs
- Treble and Bass control
- Siren trigger when short circuit, overload or overheat is detected

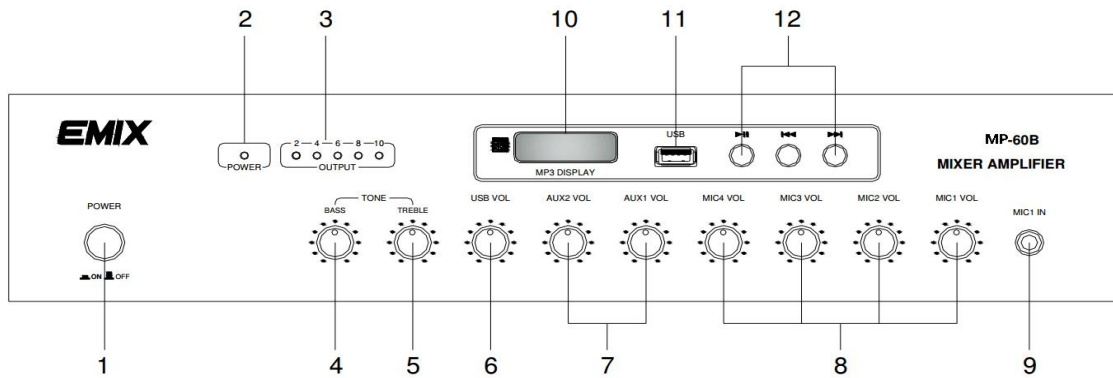
Description

MP60B mixer amplifier has a wide range of output power ratings and enhanced cost effectiveness with this model: 60W. The mixer amplifier is integrated with a USB player for MP3 playback. It is design to work with high impedance (100V) speaker system. The 5-segments LED output meter is to monitor the output signal level. It is standard 19" rack-mountable with earpieces provided and only takes up to 2U of space.

Specification

Model	MP60B	MP120B
Rated	60W	120W
Output Regulation	Less than 3dB	
Speaker Output	100V	
AUX Output	1V	
Input Sensitivity	Mic 1, 2, 3, 4 : 3mV (± 0.5 mV) Unbalanced	
	Line 1, 2 : 200mV (± 30 mV) Unbalanced	
Frequency Response	65Hz – 20kHz (± 3 dB)	
Distortion	Less than 1% at 1kHz, 1/3 rated output voltage	
S/N Ration	Mic 1, 2, 3, 4 : Bigger than 80dB	
MP3 Input Sensitivity	230 – 280mV	
Muting Function	Mic 1 overrides other input signals with 0 to -30dB attenuation	
Protection	AC Fuse, DC Voltage, overload and short circuit	
Power Requirement	AC 220-240V / 50-60Hz	
Power Consumption	90W	200W
Dimension (W × H × D)	430 × 300 × 88mm (2U)	
Net Weight	9 kg	7kg
Gross Weight	6 kg	10kg

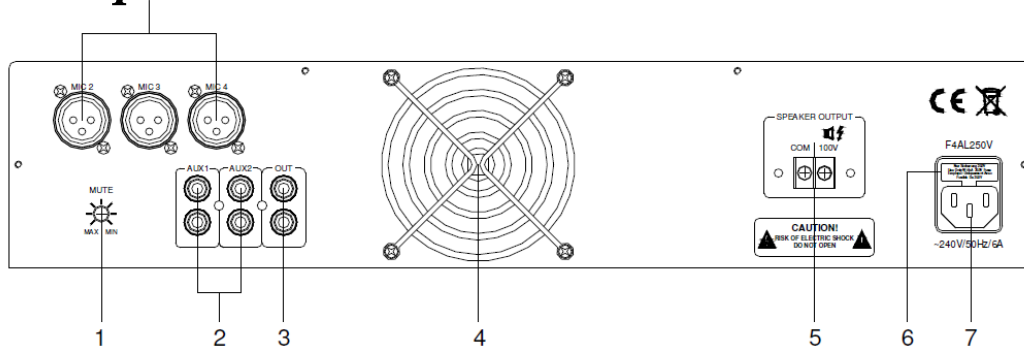
Front Panel



1. Power switch
(power indicator lighting as ON state)
For main power.
2. LED power indicator
For main power.
3. LED level meter
Indicate output level.
4. Bass control
Adjust bass response.
5. Treble control
Adjust treble response.
6. MP3 output volume control
Adjust treble response.

7. Line volume control
Adjust Line input volume.
8. Mic1-Mic4 volume control
Adjust microphone volume.
9. Mic1 input jack
Connect to microphone of unbalanced 30-600Ω with 1/4" phone plug. The muting function is activated while the signal is sent to Mic1.
10. MP3 Display
11. MP3 USB input jack
12. MP3 Player control button

Rear panel



1. Mute control
Adjust muting function.
- 2.2. Line 1 input and Line 2 input
Connect to linear source equipment.
3. Line output
Connect a recorder
4. Fan Exhaust Window

5. Speaker output 100V
6. AC fuse
Prevent the excessive AC
7. AC power Input jack
Connect to AC power sou
8. Mic2-Mic4 input jack