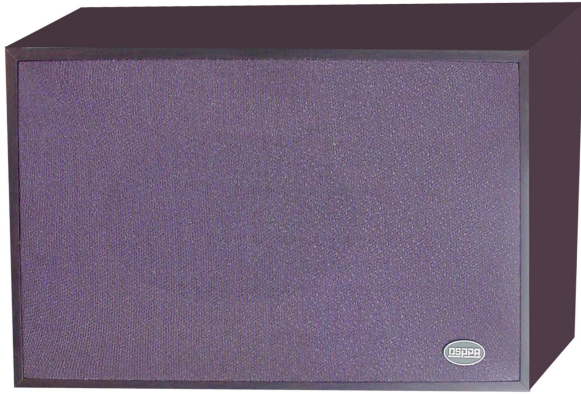


## DSP406 5W-10W Beaverboard Wall Mount Speaker



### Features

- 70/100V, 5-10W
- Max SPL: 101±2dB
- High sensitivity: 91±2dB
- Effective Freq: 80Hz-18kHz
- Made of high beaverboard
- Easy and fast hook wall mount installation

### Description

DSP406 Wall mount speaker built in 70/100V transformer, the multiple power tapes 5-10W are helpful for different applications varies from room size and ambient noise surroundings. Max sound pressure level is 101±2dB. Effective Freq range is 80Hz-18kHz. High sensitivity is 91±2dB. Made of high beaverboard, hard to vibrate, clear and sonorous sound. Easy and secure wall mount installation through the supplied mounting hook. It is ideal choice for industrial and commercial applications in hotel, school, office and factory where background music and paging is needed.

### Specification

Model	DSP 406
Freq. Resp	80Hz-18kHz
Sensitivity	91±2dB
Max SPL	101±2dB
Weight	2 kg

## Installation

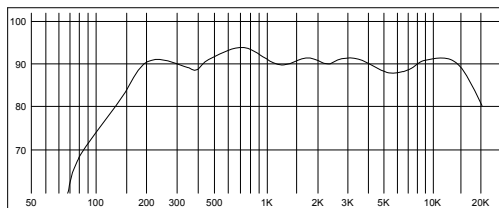
1. Fit two Ø4mm nails on wall where it is needed to install a speaker system as shown above.
2. Connect audio broadcasting wire to the terminals according to the table below.

Power	Line Voltage	70V	100V
Terminals			
	Red-Black	5W	10W

3. Position the speaker, then adjust the direction of it and examine whether it is steady.

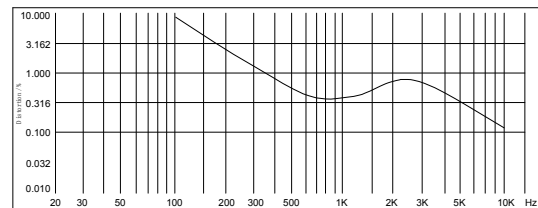
## Freq. Response

( dB SPL, 1W, 1m)

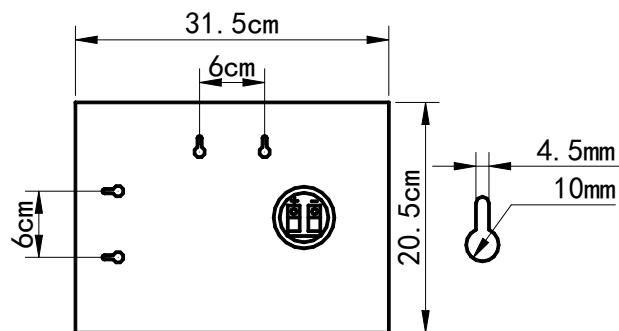


## Distortion

(THD < 1.5% 1W, 1m, 100Hz-10kHz)



## Hanging Hole



## Nail for Mounting

